

CASE FILE #PL201700099

APPROVED  
ZONING REVIEW ONLY  
NMJ 12/29/2017

PROPOSED ELECTRIC RUN  
UNDER "SPEED BUMP"  
CABLE GUARD TO  
TEMPORARY ASSET BY G.C.  
(G.C. TO COORDINATE POWER  
SOURCE WITH LESSOR)

PROPOSED 12'-0"  
X 30'-0" LAND SPACE

PROPOSED 8'-0" WIDE  
X 20'-0" LONG  
TEMPORARY ASSET

NEW ROAD LOCATION  
BY OTHERS

BLEACHER LOCATION  
BY OTHERS

PROPOSED FIBER RUN  
UNDER "SPEED BUMP"  
CABLE GUARD FROM  
HAND HOLE AT BASE  
OF S.C. LIGHT POLE TO  
TEMPORARY ASSET BY G.C.  
(APPROX. 210' LF)

PROPOSED CHAIN-LINK  
FENCE COMPOUND AT  
LAND SPACE

PROPOSED GENERATOR

PROPOSED TEMPORARY ASSET  
TO BE LOCATED AT  
Bearing: N 44° 51' 17.28"  
W 93° 14' 01.06"

EXISTING FENCE

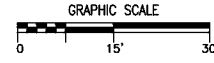
"VIP" LOCATION  
BY OTHERS

EXISTING FIBER  
HAND HOLE

TEMP LIGHTING LOCATION  
BY OTHERS

RACE TRACK LOCATION  
BY OTHERS

1 SITE PLAN  
SCALE: 1"=30'-0"



NOT FOR  
CONSTRUCTION

**DESIGN** 1

9973 VALLEY VIEW RD.  
EDEN PRAIRIE, MN 55344  
(952) 903-9299  
WWW.DESIGN1EP.COM

**verizon**

10801 BUSH LAKE ROAD  
BLOOMINGTON, MN 55438

PROJECT  
N/A

LOC. CODE: N/A

MIN  
MOA X GAMES  
TEMP LAAMA

8201 24TH  
AVENUE SOUTH  
BLOOMINGTON,  
MN 55425

SHEET CONTENTS:  
SITE PLAN

DRAWN BY:	SJD
DATE:	05-10-17
CHECKED BY:	TAB
v.1	05-10-17
v.2	05-11-17
v.3	05-15-17
v.4	05-16-17
v.5	06-15-17

S.S.

# verizon<sup>✓</sup> LAAMA

## SPECIFICATIONS

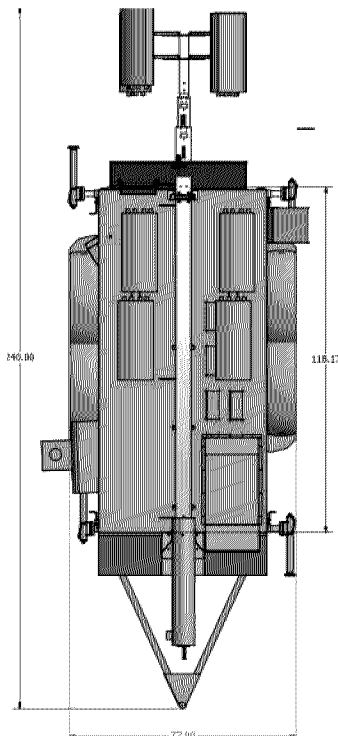
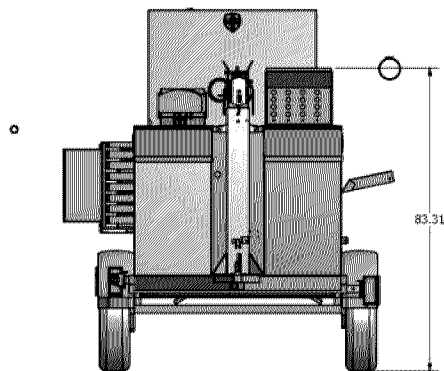
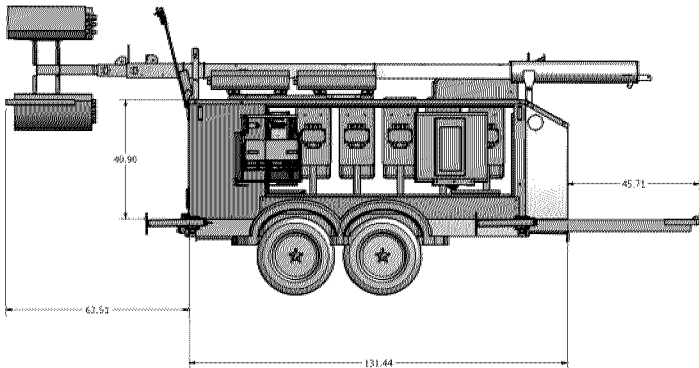
### TRAILER PLATFORM

#### MAST with Cabling

- 43 FT. Telescoping, 3 sections
- 340° manual mast rotation capabilities
- Dual Electric Winches - single location control station
- Mast Stabilization System
- Detachable multi-antenna/adjustable array mount
- Cable Management System
- Pre-installed Antenna Coaxial Cables
- Antenna Bulkhead System: 22 Coaxial conn.—2 RET's
- Mid-Mast junction Box - for add'l. accessory connections

#### TRAILER

- Deployed: 177" x 77" x 83.5" (L x W x H)  
(includes tongue length of 45.7" - Excl. extended Outriggers)
- Travel: 240" x 77" x 83.5"
- Gross weight: *TBD*
- Adjustable Pintle Trailer Drop Hitch/changeable ball size
- Dual 3400# Torsion Axles
- Radial Tires: TT15205D
- Electric Brakes
- 7 Pin Wire Towing Harness for lighting & brakes
- Four (4) Extendable outriggers with jacks
- Heavy Duty Front Wheel Jack
- Dual latching, lockable, side doors (2) - pressurized struts
- Single latching, lockable, back door (1) - pressurized struts
- Ventilated battery storage compartment
- Internal ambient cooling sys. w/ integrated filtration
- Fixed 360°, 5 MP, dome, network cam for remote viewing
- D.O.T. Approved External safety lighting
- Interior LED lighting (auto on/off)
- Dual 'Swing out' Equipment Racking Systems
- Electronic Rack Air Conditioning System—800 BTU
- External Fiber Optic connection port
- GPS
- 'Quick Mount' Racking System for multiple Radios

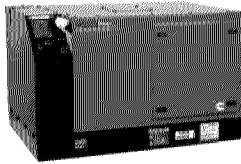


- continued

## TRAILER PLATFORM—continued

### Embedded Diesel Generator

Cummins Onan QD 8000 -  
8000 Watt Quiet Diesel  
Commercial Mobile  
Generator (120V 67A)



Engine	
Engine Brand	Kubota
Starting System	12-Volt Button Start
CC	719 CC
Consumer Engine Warranty	2 Years
Commercial Engine Warranty	2 Years
Low Oil Alert/Shutdown	Yes
Cast Iron Sleeve	Yes
Product Specs	
Voltage	120 Single-Phase
Frequency	60 Hertz
Alternator	Brushless
Auto Voltage Regulation	Yes
Surge Watts	8000 Watts
Rated Watts	8000 Watts
Fuel Type	Diesel
Rated Amps	67 @ 120 Volts (Single Phase) Amps
Decibel Rating @ 7m	Not Measured by Manufacturer
Idle Control	Yes
Hour Meter	Yes
Transfer Switch Circuits	
Circuit Breaker Type	2-Pole - 35A (120V)
Overview	
Weight	420 Pounds
Product Length	36.35 Inches
Product Width	24.23 Inches
Product Height	22.3 Inches
Consumer Warranty	2 Years
Commercial Warranty	2 Years
Model	8 HDKAU-41934

### ELECTRICAL

#### **GENERATOR**

EMBEDDED 8000 Watt DIESEL GENERATOR  
(see description on left)

- Generator installed in separate , ventilated compartment
- 40 gallon fuel tanks (2 x 20 gallons)
- locking fuel cap

#### **SHORE POWER**

- External 240 VAC Power connection port

#### **BATTERY POWER**

- Dual Battery banks:
  - 12 volt bank - 200Ah batt. pk. - AGM batteries
  - 48 volt bank - 1200Ah batt. pk. - AGM batteries
- Safety Fusing package for battery charging system

#### **POWER CONTROL MODULE (PCM)**

- Interior environmentally controlled cabinet
- LED lighting (auto on/off)
- 55 AMP IOTA charger (for 12 v system)
- 150 watt Sine Wave Inverter
- Electronic Equipment Rack Alarming Outputs:
  - Door Open
  - Low Fuel
  - Generator Running
  - Generator Failure

#### **MPS Remote Status Monitoring**

System Status & Alarm Reporting with Remote Control capabilities through **MPS PowerBroker**:

- Temperature Monitoring
- Fuel Level
- Door Open Status
- Battery Voltage
- Battery Currents
- GPS
- Generator Status & Runtime



**MOBILE PRO SYSTEMS**  
3150 Mike Collins Drive, Eagan, MN 55121  
Phone: **651-434-2333**  
[www.mobileprosystems.com](http://www.mobileprosystems.com)

**One (1) Year Manufacturer's Limited Warranty**