

Zoning Review Only
December 17, 2020
Liz O'Day

MH - 041

M Health Fairview Oxboro Clinic Uniform Sign Design

Contact

M Health Fairview
Attn: Krae Lausch
9555 James Ave South
Bloomington MN 55431

Phone

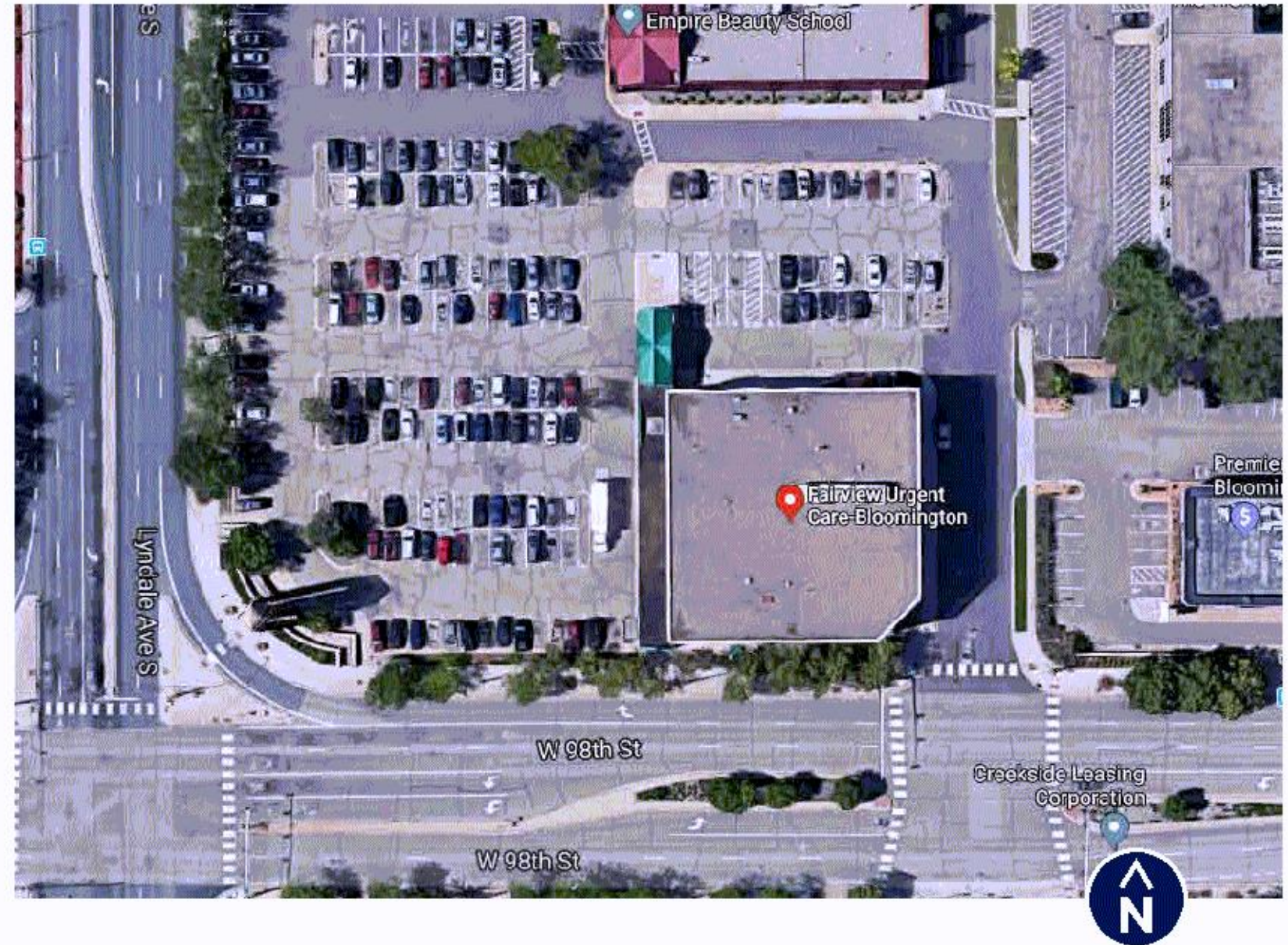
612-672-7420

Jobsite

600 West 98th Street
Bloomington, MN 55420

Date

3/9/20 - PW
4/1/20 - PW
4/28/20 - PW
12/8/20 - PW

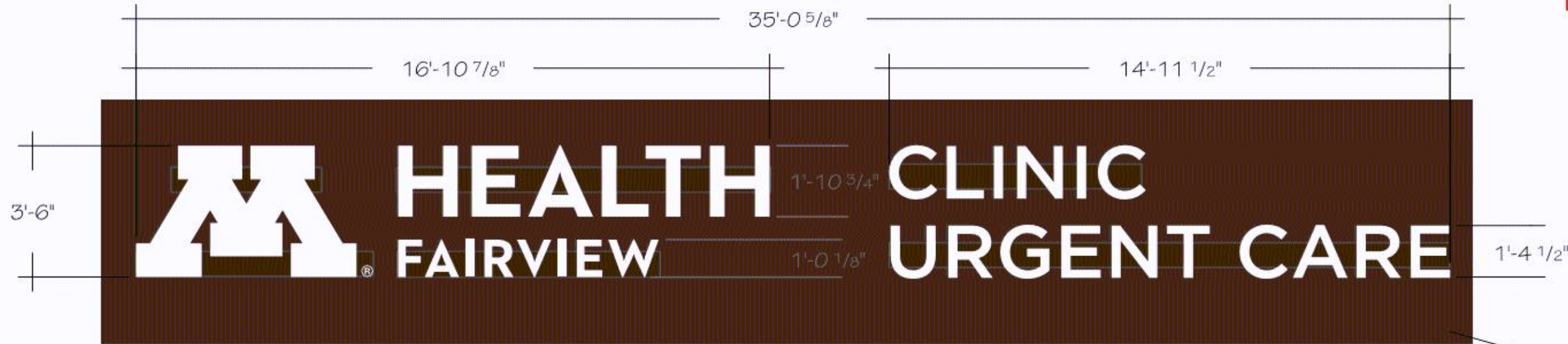


8786 W. 35W Service Drive
Blaine, MN 55449

763-432-7447 | www.spectrum-signs.com

1 MH - 41 - Oxboro Clinic - West Elevation

Zoning Review Only
December 17, 2020
Liz O'Day



122.7 Square Feet



Night View



Existing West Elevation (4) Cabinets to be Removed



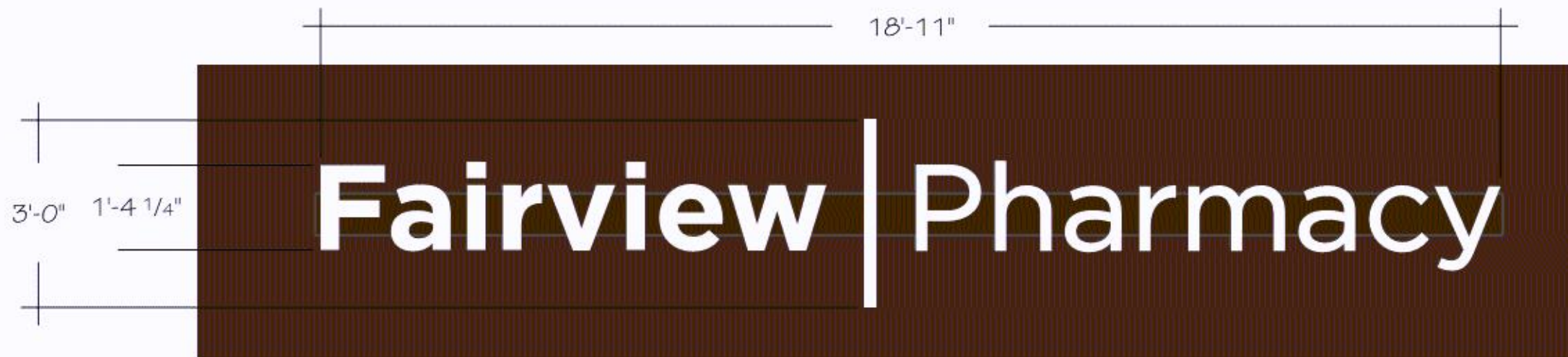
Proposed West Elevation

Furnish and Install (1) 3'-6" x 35'-5/8" LED Face Illuminated Raceway Mount Letter Set

- A. 3" Deep Face Illuminated Channel Letters
 - 1" White Trim Cap
 - 3" Deep Aluminum Returns - White
 - 3/16" #7328 White Acrylic Face
 - White LED Illumination
- B. Power Supplies Mounted in Aluminum Raceway for Service
- C. 8" x 8" Aluminum Raceways Painted to Match Wall Background - Color TBV
- D. Raceway Attached to Wall with Titen Wall Anchors
- E. Wall Background

2 MH - 41 - Oxboro Clinic - West Elevation

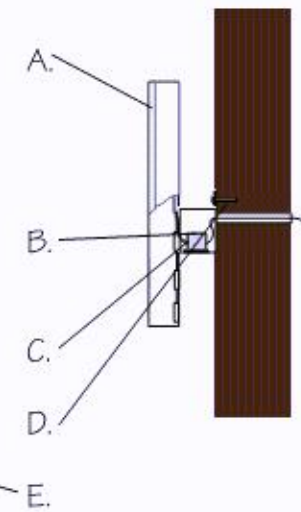
Zoning Review Only
December 17, 2020
Liz O'Day



56.8 Square Feet



Night View



Existing West Elevation



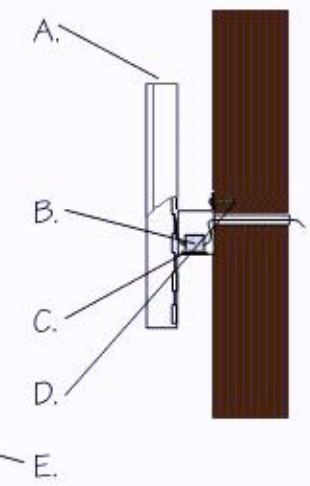
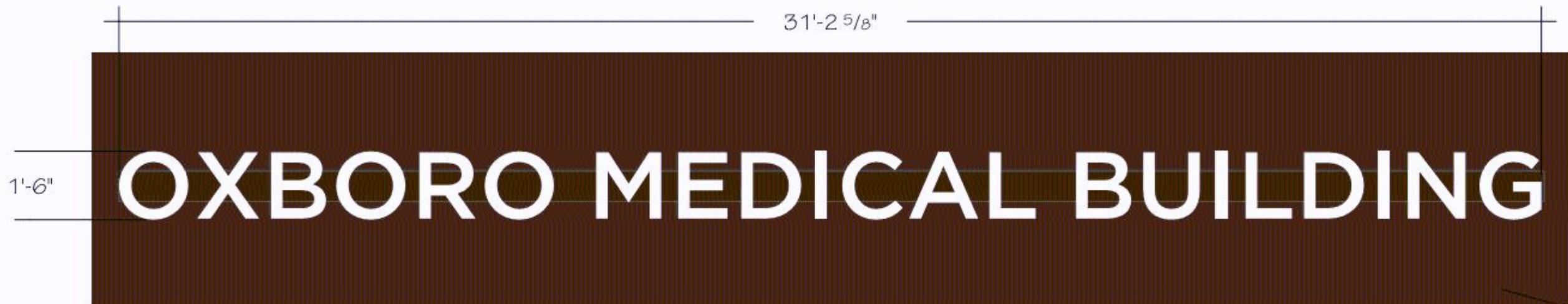
Proposed West Elevation

Furnish and Install (1) 3'-0" x 18'-11" LED Face Illuminated Raceway Mount Letter Set

- A. 3" Deep Face Illuminated Channel Letters
 - 1" White Trim Cap
 - 3" Deep Aluminum Returns - White
 - 3/16" #7328 White Acrylic Face
 - White LED Illumination
- B. Power Supplies Mounted in Aluminum Raceway for Service
- C. 8" x 8" Aluminum Raceways Painted to Match Wall Background - Color TBV
- D. Raceway Attached to Wall with Titen Wall Anchors
- E. Wall Background

3 MH - 41 - Oxboro Clinic - West Elevation

Zoning Review Only
December 17, 2020
Liz O'Day



46.9 Square Feet



Night View



Existing West Elevation



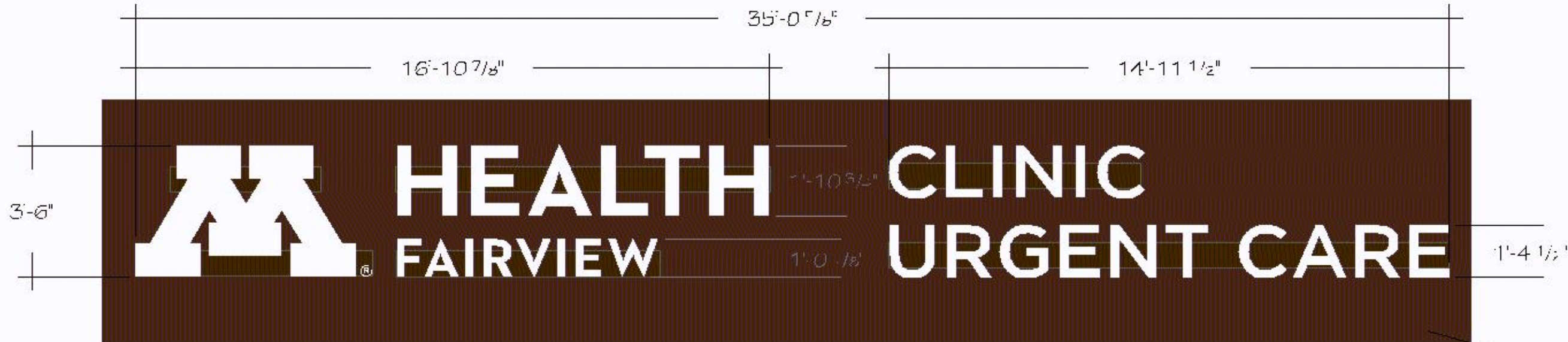
Proposed West Elevation

Furnish and Install (1) 1'-6" x 31'-2 5/8" LED Face Illuminated Raceway Mount Letter Set

- A. 3" Deep Face Illuminated Channel Letters
 - 1" White Trim Cap
 - 3" Deep Aluminum Returns - White
 - 3/16" #7328 White Acrylic Face
 - White LED Illumination
- B. Power Supplies Mounted in Aluminum Raceway for Service
- C. 8" x 8" Aluminum Raceways Painted to Match Wall Background - Color TBV
- D. Raceway Attached to Wall with Titen Wall Anchors
- E. Wall Background

4 MH - 41 - Oxboro Clinic - South Elevation

Zoning Review Only
December 17, 2020
Liz O'Day



122.7 Square Feet



Night View



Existing South Elevation



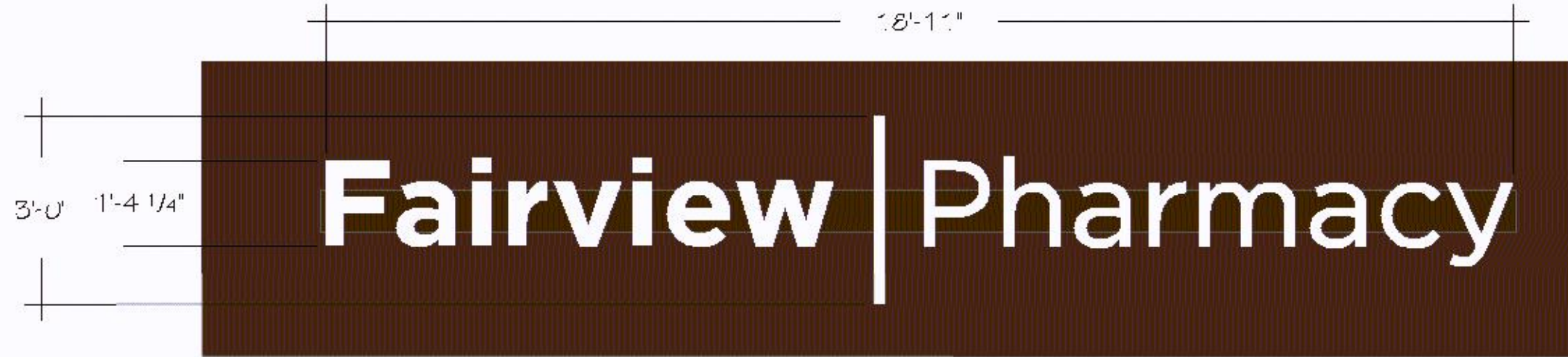
Proposed South Elevation

Furnish and install (1) 3'-6" x 35'-5/8" LED Face Illuminated Faceway Mount Letter Set

- A. 3" Deep Face Illuminated Channel Letters
 - 1" White Trim Cap
 - 3" Deep Aluminum Returns - White
 - 3/16" #1328 White Acrylic Face
 - White LED Illumination
- B. Power Supplies Mounted in Aluminum Raceway for Service
- C. 8" x 8" Aluminum Raceways Painted to Match Wall Background - Color TBV
- D. Raceway Attached to Wall with Titen Wall Anchors
- E. Wall Background

5 MH - 41 - Oxboro Clinic - South Elevation

Zoning Review Only
December 17, 2020
Liz O'Day



56.8 Square Feet



Night View



Existing South Elevation



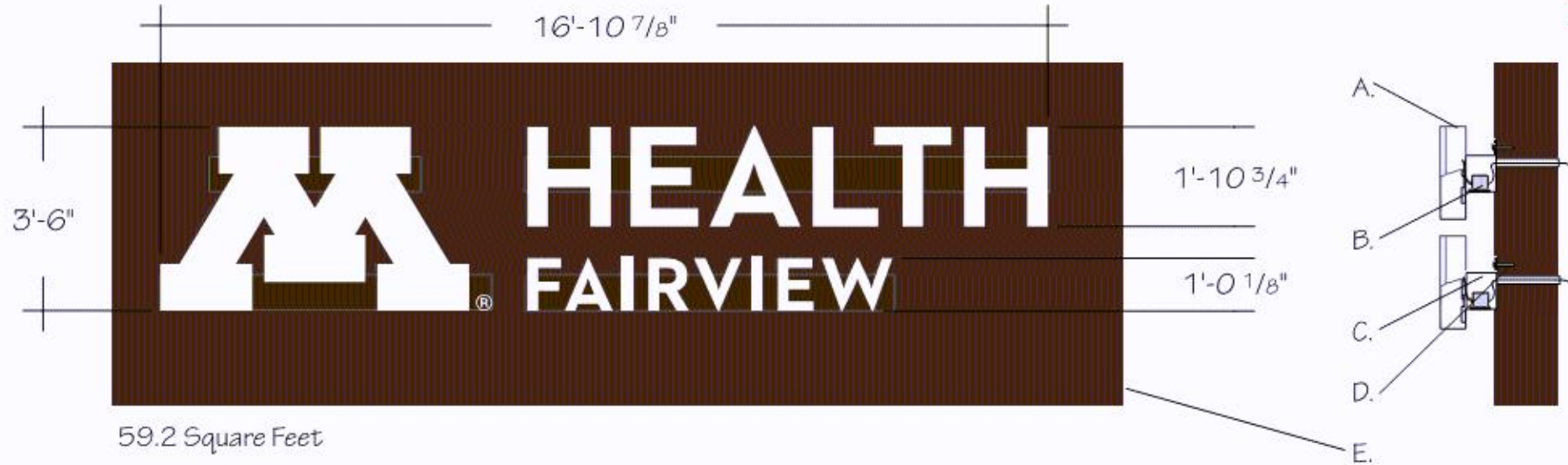
Proposed South Elevation

Furnish and Install (1) 3'-0" x 18'-11" LED Face Illuminated Raceway Mount Letter Set.

- A. 3" Deep Face Illuminated Channel Letters
 - 1" White Trim Cap
 - 3" Deep Aluminum Returns - White
 - 3/16" #7328 White Acrylic Face
 - White LED Illuminator
- B. Power Supplies Mounted in Aluminum Raceway for Service
- C. 8" x 8" Aluminum Raceways Painted to Match Wall Background - Color TBV
- D. Raceway Attached to Wall with Titan Wall Anchors
- E. Wall Background

6 MH - 41 - Oxboro Clinic - East Elevation

Zoning Review Only
December 17, 2020
Liz O'Day



59.2 Square Feet



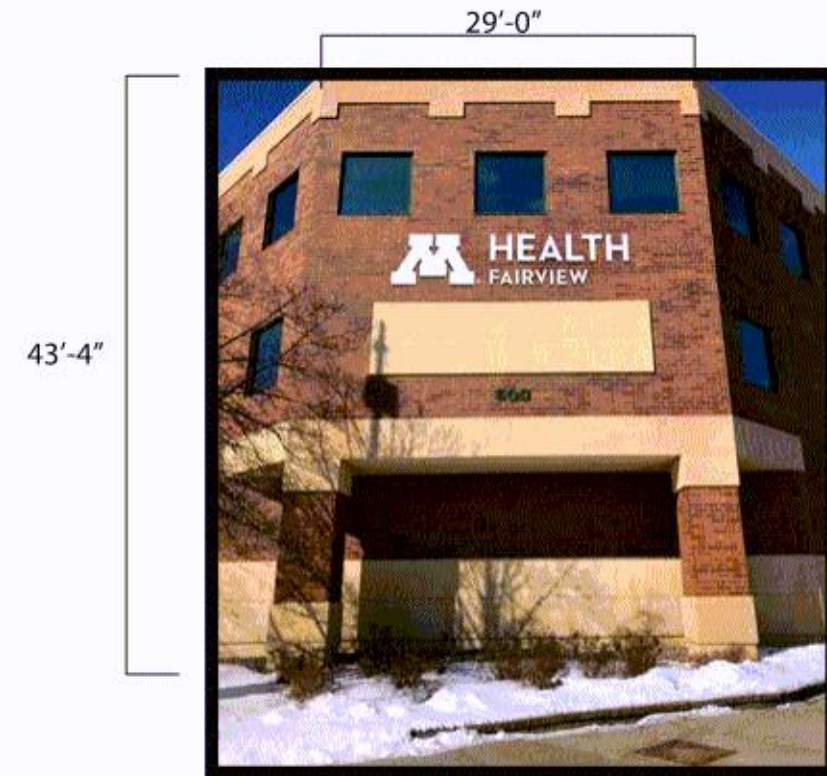
Night View

Furnish and Install (1) 3'-6" x 16'-10 7/8" LED Face Illuminated Raceway Mount Letter Set

- A. 3" Deep Face Illuminated Channel Letters
 - 1" White Trim Cap
 - 3" Deep Aluminum Returns - White
 - 3/16" #7328 White Acrylic Face
 - White LED Illumination
- B. Power Supplies Mounted in Aluminum Raceway for Service
- C. 8" x 8" Aluminum Raceways Painted to Match Wall Background - Color TBV
- D. Raceway Attached to Wall with Titen Wall Anchors
- E. Wall Background



Existing East Elevation



Proposed East Elevation

MH - 041 Oxboro Clinic - Site Map

Zoning Review Only
December 17, 2020
Liz O'Day



1. West LED Letter Set - Clinic Urgent Care
2. West LED Letter Set - Pharmacy
3. West LED Letter Set - Oxboro Medical Building
4. South LED Letter Set - Clinic Urgent Care
5. South LED Letter Set - Pharmacy
6. East Elevation LED Letter Set

MH - 41 - Oxboro Medical Building - West Elevation

Zoning Review Only
December 17, 2020
Liz O'Day



43'-4"

West Elevation - Primary Elevation

MH - 41 - Oxboro Medical Building - South Elevation

Zoning Review Only
December 17, 2020
Liz O'Day



South Elevation - Primary Elevation



763-432-7447 | www.spectrum-signs.com

8786 W. 35W Service Drive
Blaine, MN 55449

This drawing is the exclusive property of Spectrum Sign Systems, Inc. It is not to be produced or duplicated without the written consent of Spectrum Sign Systems, Inc. Distribution of this drawing for the purpose of constructing the sign by anyone other than Spectrum Sign Systems, Inc. is strictly prohibited. If such an event occurs Spectrum Sign Systems, Inc. will be reimbursed \$1,000.00 per occurrence.

Customer Approval

Date

MH - 41 - Oxboro Medical Building - East Elevation

Zoning Review Only
December 17, 2020
Liz O'Day

29'-0"



43'-4"

East Elevation - Secondary Elevation



763-432-7447 | www.spectrum-signs.com

8786 W. 35W Service Drive
Blaine, MN 55449

This drawing is the exclusive property of Spectrum Sign Systems, Inc. It is not to be produced or duplicated without the written consent of Spectrum Sign Systems, Inc. Distribution of this drawing for the purpose of constructing the sign by anyone other than Spectrum Sign Systems, Inc. is strictly prohibited. If such an event occurs Spectrum Sign Systems, Inc. will be entitled to \$31,000.00 per sign instance.

Customer Approval

Date

MH - 41 - Oxboro Medical Building - North Elevation

Zoning Review Only
December 17, 2020
Liz O'Day

43'-4"

122'-0"



North Elevation - Secondary Elevation



763-432-7447 | www.spectrum-signs.com

8786 W. 35W Service Drive
Blaine, MN 55449

This drawing is the exclusive property of Spectrum Sign Systems, Inc. It is not to be produced or duplicated without the written consent of Spectrum Sign Systems, Inc. Distribution of this drawing for the purpose of constructing the sign by anyone other than Spectrum Sign Systems, Inc., is strictly prohibited. If such an event occurs Spectrum Sign Systems, Inc., will be reimbursed \$1,000.00 net occurrence.

Customer Approval

Date