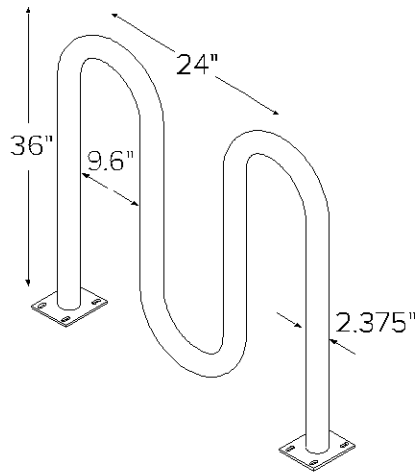


ROLLING RACK

Submittal Sheet



CAPACITY

RR2H: 5 Bikes
 RR3H: 7 Bikes
 RR4H: 9 Bikes
 RR5H: 11 Bikes

MATERIALS

2.375" OD Schedule 40 Steel Pipe

FINISHES

Galvanized *** 2 @ Interior locations ***

An after fabrication hot dipped galvanized finish is our standard option.

Powder Coat *** 2 @ Exterior locations ***

Our powder coat finish assures a high level of adhesion and durability by following these steps:

BRONZE

1. Sandblast
2. Epoxy primer electrostatically applied
3. Final thick TGIC polyester powder coat

Stainless

Stainless Steel: 304 grade stainless steel material finished in either a high polished shine or a satin finish.

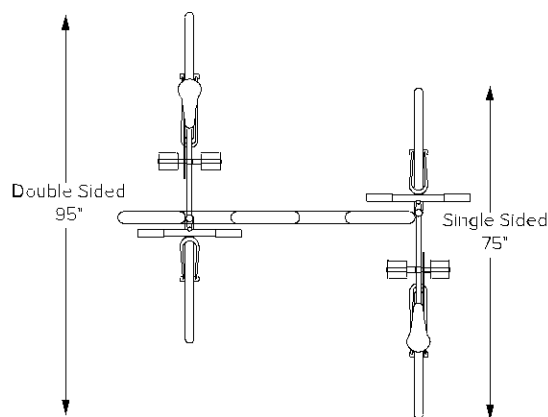
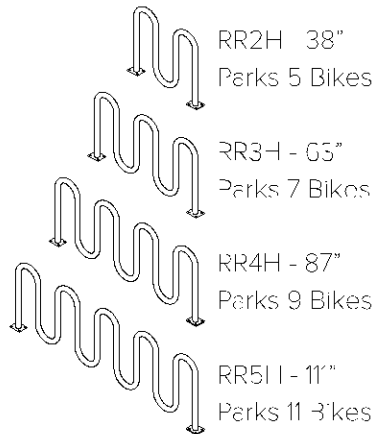
MOUNT OPTIONS

In-ground

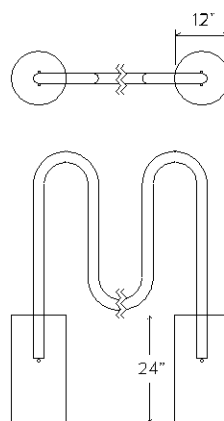
In ground mount is embedded into concrete base. Specify in ground mount for this option.

Surface

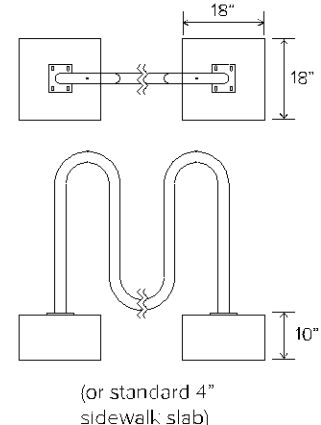
Foot Mount has two 5"x6"x.25" feet with four anchors per foot. Specify foot mount for this option.



IN-GROUND MOUNT



SURFACE MOUNT



DERO
 A PLAYCORE company

www.dero.com | 1-888-337-6729