

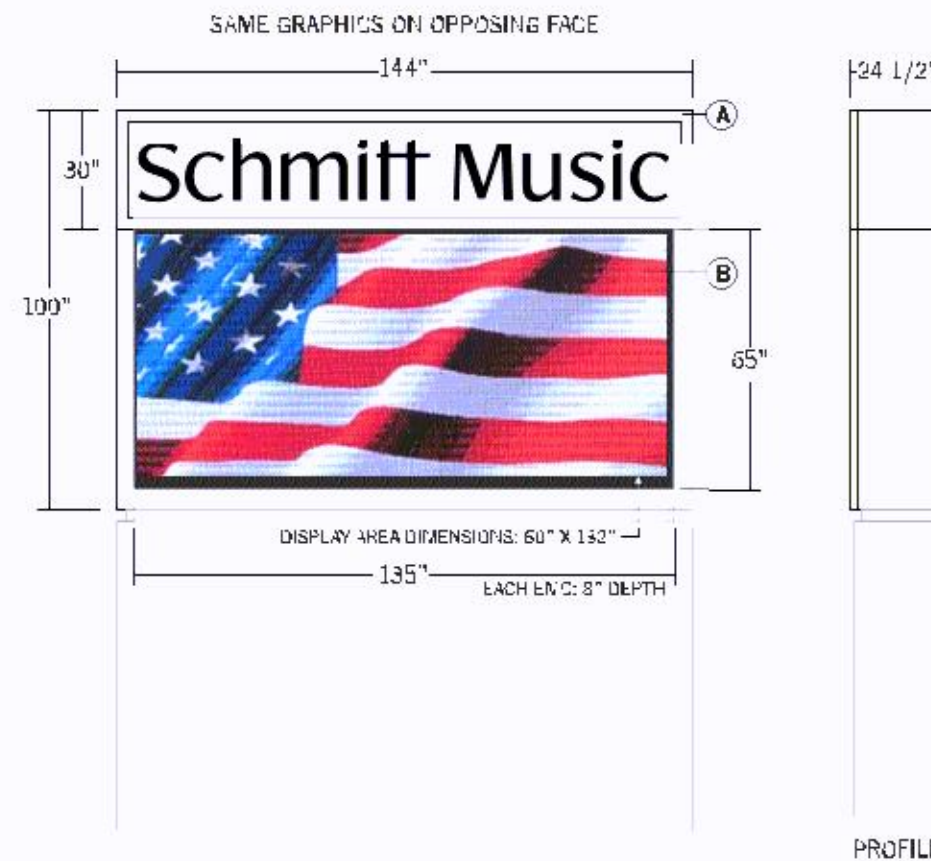


1 Monument | West Elevation

Scale: 3/16" = 1'-0"



ILLUMINATED SIGN
(CONCEPTUAL)



2 Custom DF Cabinet

Scale: 1/4" = 1'-0"

Description

A DF Cabinet

CUSTOM DF FABRICATED ALUMINUM ANGLE FRAME CABINET - 2 1/2" ANGLE RETAINERS PAINTED WHITE (SATIN FINISH) - 3/16" WHITE POLYCARBONATE FACES - MATTE BLACK VINYL GRAPHICS (220-22) - APPLIED FIRST SURFACE

Illumination

SLOAN SS SIGNBOX 3 6500K WHITE LED MODULES 48 L.E.D. MODULES - 48 LINEAL FEET TOTAL

(4) - 24VDC100W (701895-24CL) 100-277 VAC 60 Hz 1.40 A - 100 W @ 24 VDC

PHOTOCELL & DIMMER CONTROLLER

B Electronic Message Center

SF FULL COLOR 10MM WATCHFIRE EMS DISPLAY 65" X 135" X 8" CABINET - 150 X 330 PIXEL MATRIX W10MM LED RGB PIXEL PITCH - 18 LINES / 66.0 CHARACTERS AT A 3" TYPE - FRONT VENTILATION 1/8" ALUMINUM BEZEL FACE & RETURNS PAINTED WHITE (SATIN FINISH) - EACH UNIT INDEPENDENTLY PROGRAMABLE - DIMMER CONTROLLER

Install

MOUNT ONTO EXISTING MASONRY BASE - OVER EXISTING STEEL TUBE SUPPORTS

Project:
Schmitt Music.
Bloomington, MN

Designer: DG
Job Number: 133560

Date: 02.08.22

Rev. 1: 02.17.22

Rev. 2: 04.07.22

Rev. 3: 04.11.22

Rev. 4: 05.18.22

Rev. 5: 05.24.22



archetype

9611 James Ave S.
Minneapolis, MN 55421

952 641 9600

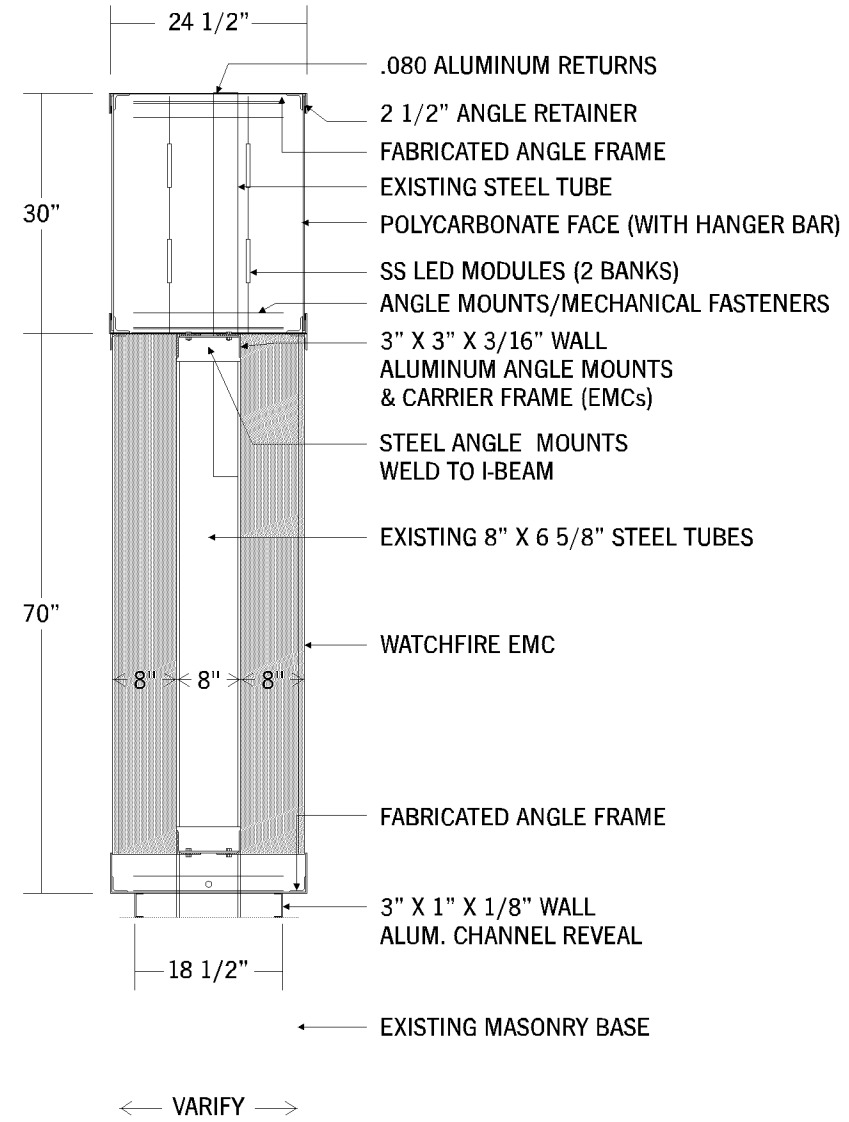
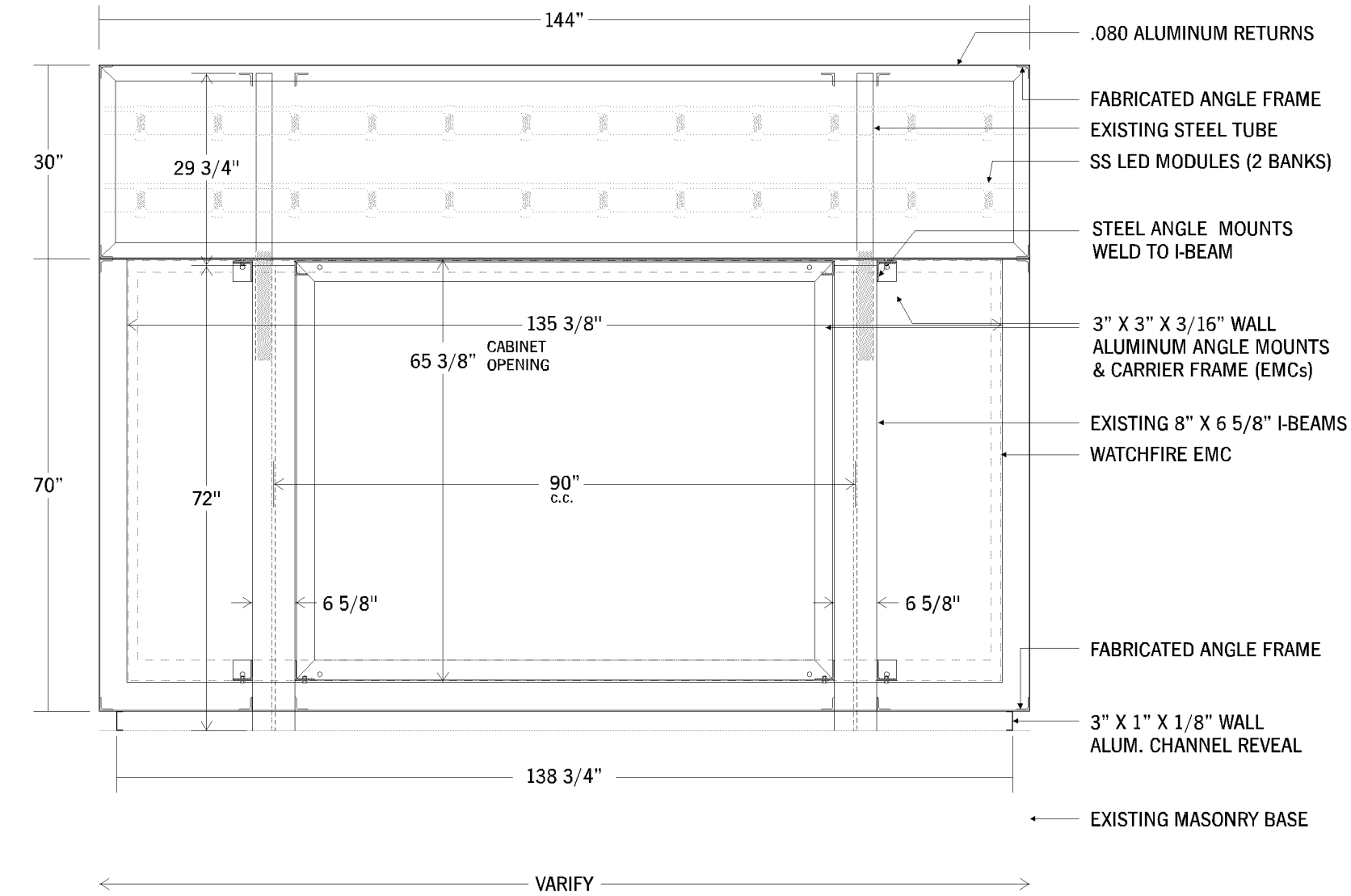
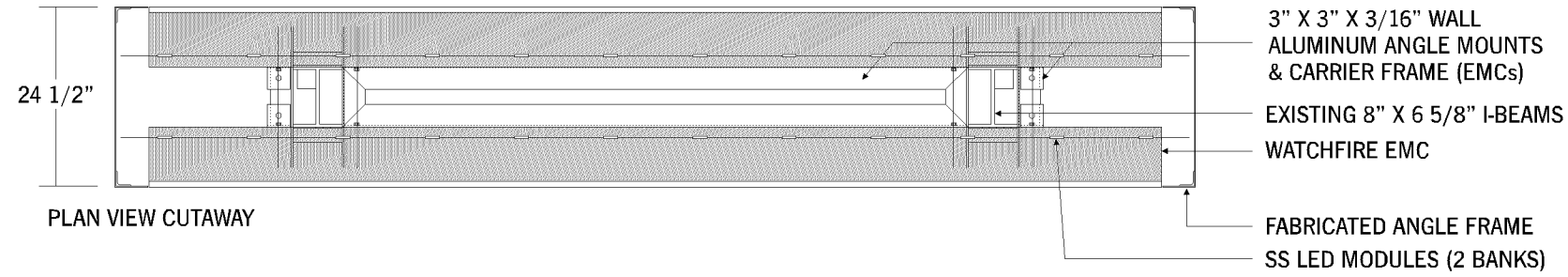
archetype-sign.com

Contact:
Steve Hirtz
952 641 9629
stevch@archetypesign.com

Archetype Sign is a registered trademark of Archetype Sign, Inc. All other trademarks are the property of their respective owners. © 2022 Archetype Sign, Inc. All rights reserved. This document is the property of Archetype Sign, Inc. and is not to be distributed, copied, or reproduced in any form without the written permission of Archetype Sign, Inc.

Approved:

Type:
Description:
DF Cabinet Sign
FMC



PROFILE CUTAWAY



9611 James Ave S.
 Minneapolis, Minnesota 55431

952 641 9600

archetypesign.com

Contact:
Steve Hirtz
 952 641 9629
 steveh@archetypesign.com

This print is meant as a representation of a sign show with consideration of being manufactured by Archetype. Materials may influence final result. Samples available upon request. Graphic Design time is included in the total purchase price. Designs contained herein are not meant to be exhibited to others outside of included parties and employees. Designs received from Archetype may not be manufactured by others without reimbursement for time spent in the creation of these designs or any resemblance. Drawings may contain elements considered artistic intellectual property of Steve Carpenter, owner. ©Archetype

Approved:

Type:
 Description:
 DF Cabinet Sign
 EMC