

REQUIREMENTS

Final plant quantities shall meet quantities listed below (shown in parentheses). Existing shrubs have not been field-verified. Replace any missing areas using species from Replacement Plant Schedule above.

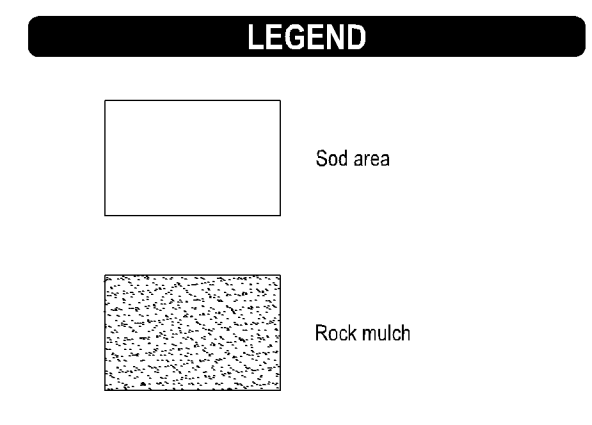
Existing shrubs	218	Existing trees	54
Proposed shrubs	38	Proposed trees	12
Total shrubs	256	Total trees	66

(shrubs on previously approved plan - 244)
(trees on previously approved plan - 41)

REPLACEMENT PLANT SCHEDULE

SHRUBS	BOTANICAL NAME	COMMON NAME	PLANTING SIZE
	<i>Cornus racemosa</i>	Gray Dogwood	#5 Pot
	<i>Cornus alba</i> 'Red Gnome'	Red Gnome Dogwood	#2 Pot
	<i>Viburnum lantana</i> 'Molokai'	Molokai Viburnum	#2 Pot
	<i>Acer glabrum</i> 'Compact'	Compact Amur Maple	#5 Pot
	<i>Spiraea tomentosa</i> 'Goldflame'	Goldflame Spiraea	#2 Pot
	<i>Viburnum</i> 'Viburnum Bailey Compact'	Compact Viburnum	#2 Pot
	<i>Dianella</i> 'Vincosa Bailey Compact'	Chauff Bush Honeysuckle	#2 Pot
	<i>Juniperus horizontalis</i> 'Hugobon'	Hugobon Juniper	#5 Pot
	<i>Juniperus horizontalis</i> 'Wilsoni'	Wilson Carpet Juniper	#5 Pot

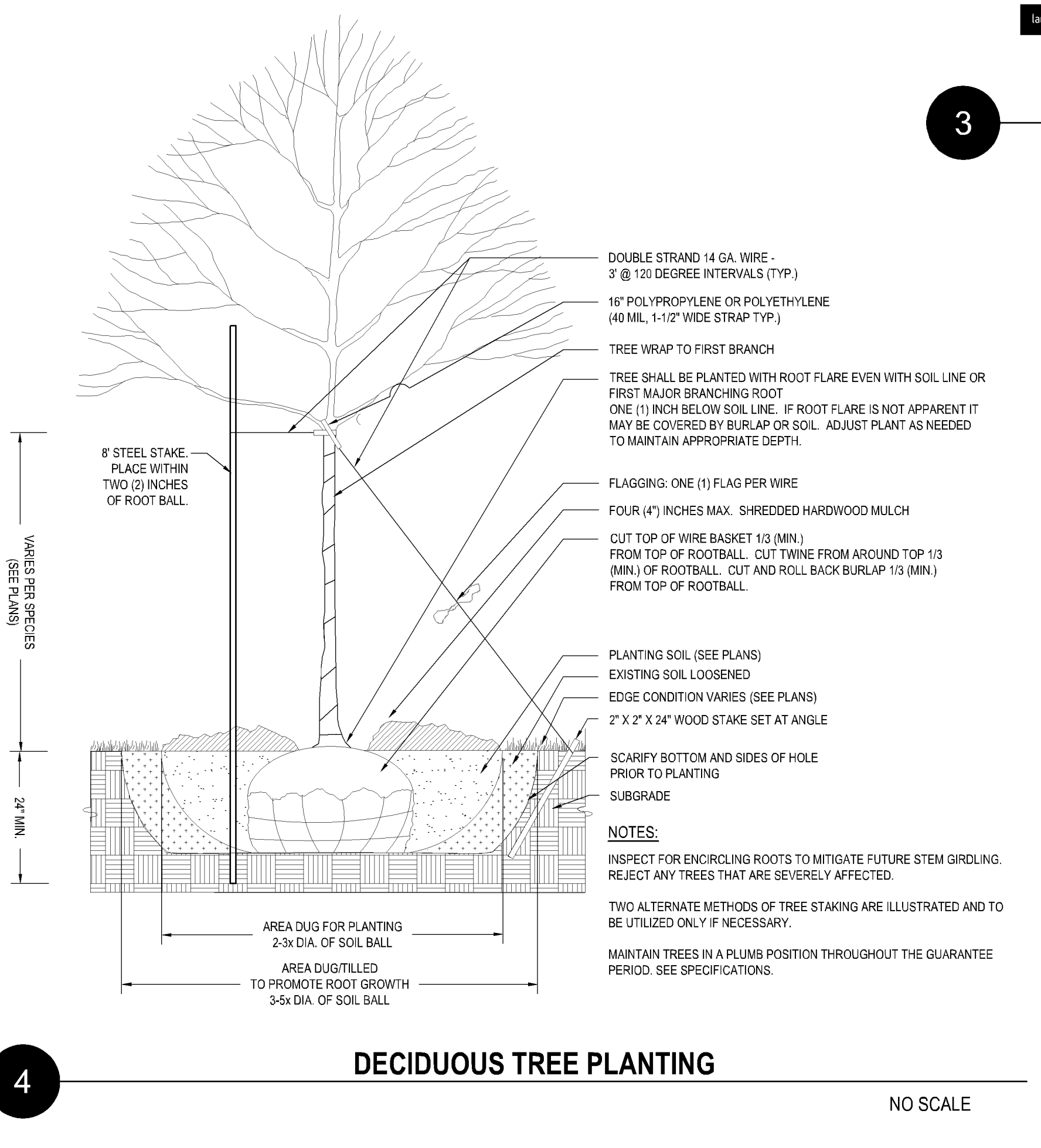
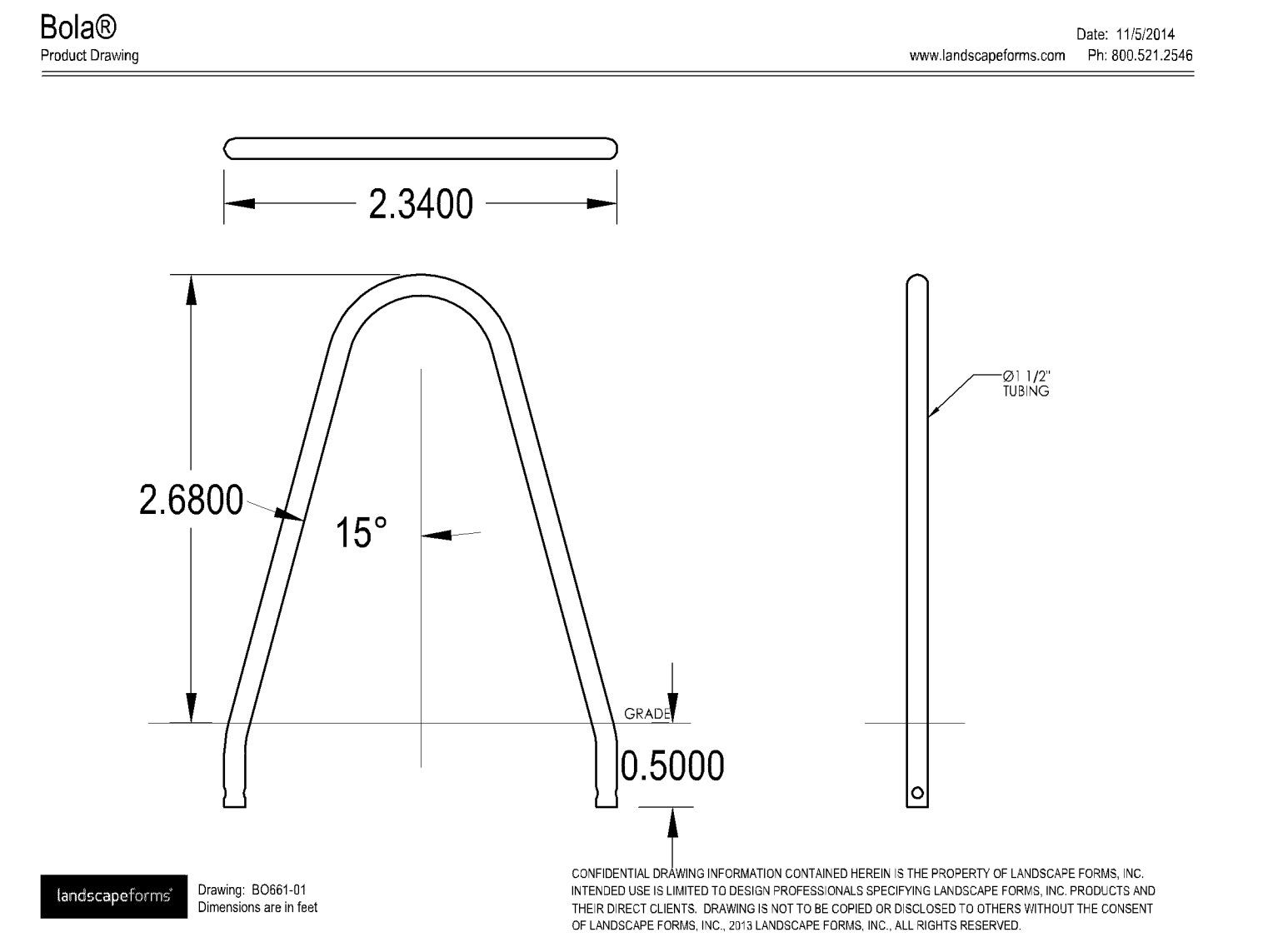
Replacement Plant Schedule symbols are representative of previously approved landscape plan. Replace any missing plants with the species and sizes listed above.



PLANT SCHEDULE

SYMBOL	CODE	QTY	BOTANICAL / COMMON NAME	MATURE SIZE	PLANTING SIZE	ROOT CONDITION
DECIDUOUS TREES						
AF23	1	1	<i>Acer x freemanii</i> 'Jefferson' / Autumn Blaze Maple	50'H x 40'W	3"Cal	B & B
GN2	7	7	<i>Ginkgo biloba</i> 'Zaner' / Sky Tower™ Madornia Tree	20'H x 10'W	2.5" Cal	B&B
TARE	1	1	<i>Tilia americana</i> 'Redmond' / Redmond American Linden	60'H x 40'W	2.5" Cal	B & B
ORNAMENTAL TREES						
MASP	3	3	<i>Malus x</i> 'Spring Snow' / Spring Snow Crab Apple	25'H x 20'W	1.5" Cal	POT
SHRUBS						
DLO	48	48	<i>Dianella</i> 'lanterna' / Dwarf Bush Honeysuckle	4'H x 3'W	#3 Cont.	POT
JHMI	8	8	<i>Juniperus horizontalis</i> 'Wilsoni' / Blue Rug Juniper	6.5'H x 7'W	3 GAL	POT
THUG	80	80	<i>Thuja occidentalis</i> 'Little Giant' / Little Giant Arborvitae	5'H x 4'W	#5 cont.	POT
WPH	22	22	<i>Wiggle Wagon</i> 'Dark Horse' / Wiggle Wagon	3'H x 2'W	5 GAL	POT
CAWF	6	6	<i>Calamagrostis x acutiflora</i> 'Karl Foerster' / Feather Reed Grass	4'H x 2'W	2 GAL	POT

Note: Quantities of 'DLO' listed in the Plant Schedule do NOT account for any replacements needed for existing planting beds.



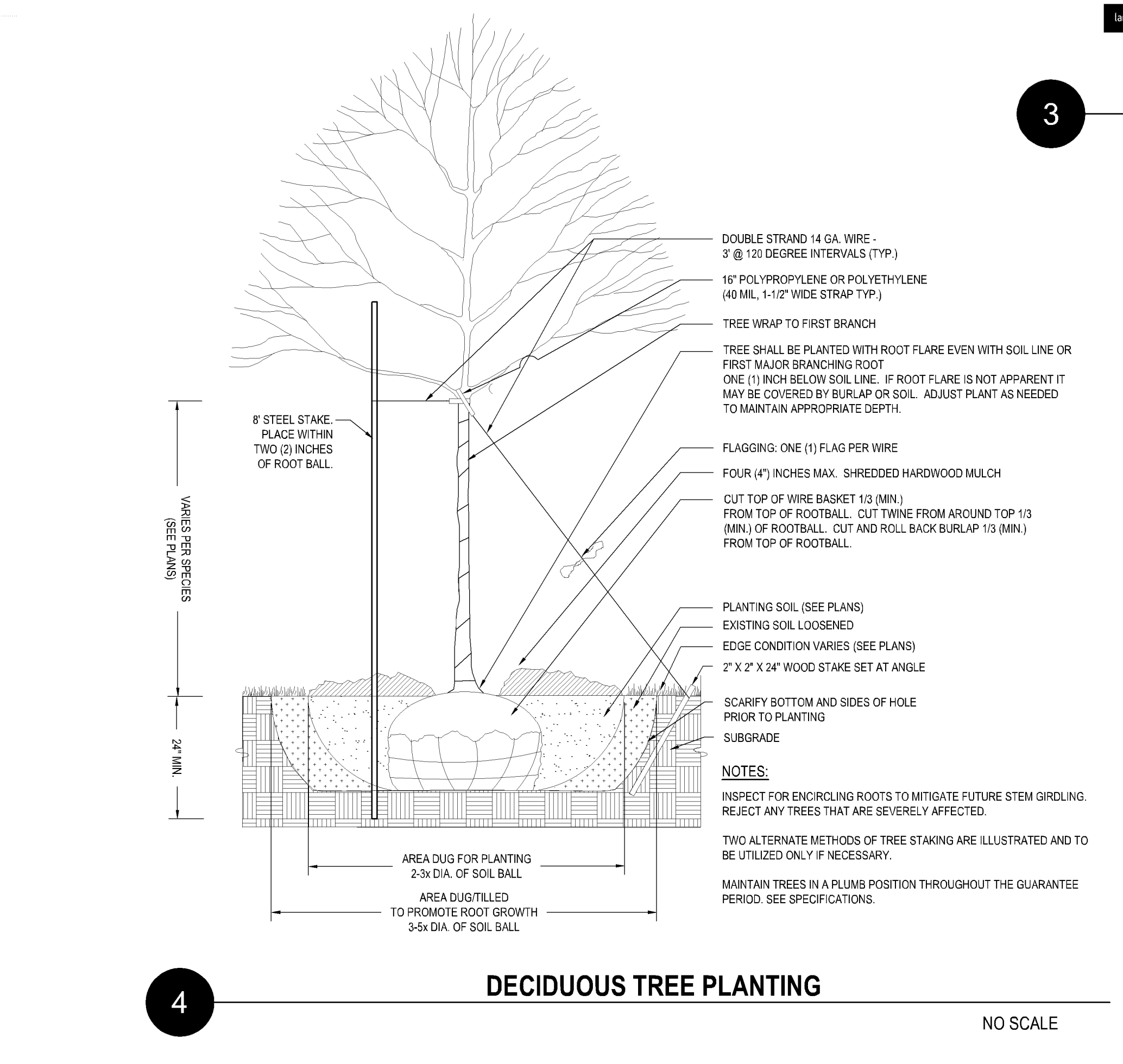
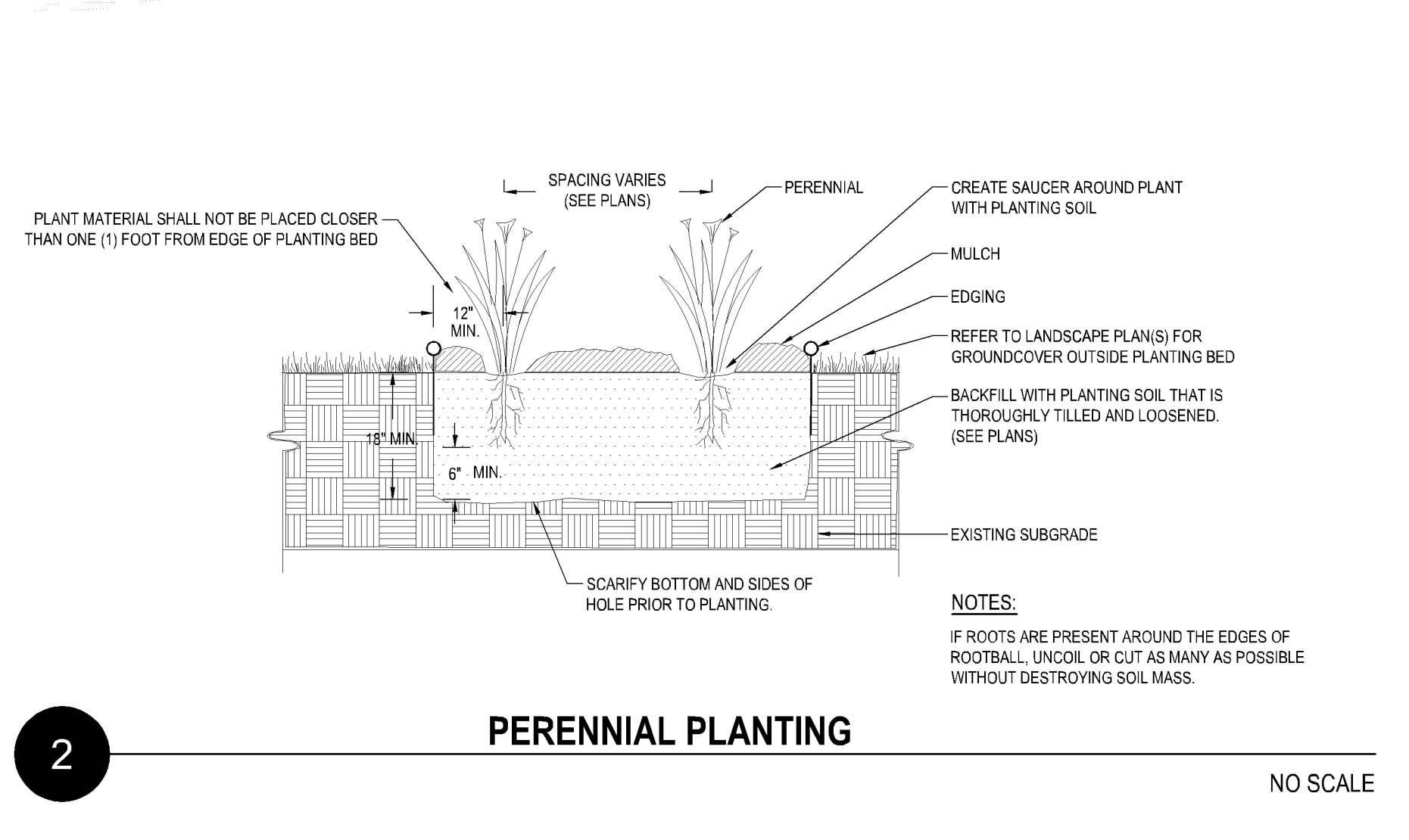
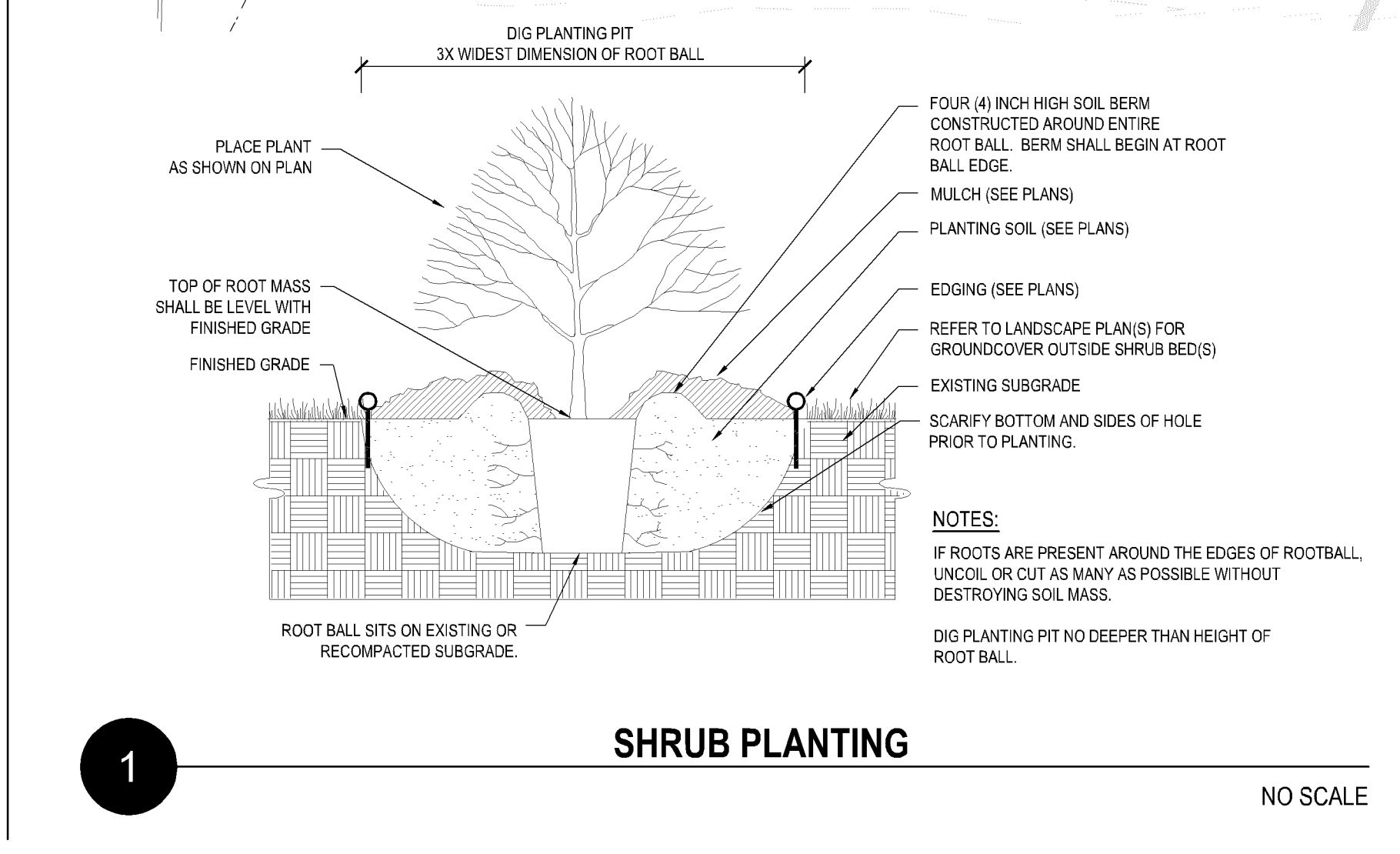
DEVELOPER
THE LUTHER COMPANY, LLLP
3701 ALABAMA AVENUE SOUTH
ST. LOUIS PARK, MN
TEL: (612) 252-9070 - FAX: (612) 252-9800

MUNICIPALITY
BLOOMINGTON

PROJECT
LUTHER HYUNDAI
BLOOMINGTON, MN

ISSUE / REVISION HISTORY

DATE	ISSUE / REVISION	REVIEW
11/01/2022	DIS: 5/28/22	DES
11/03/2022	DIS: 5/28/22	DES
04/04/2023	FORM SET	DES
04/04/2023	CITY INTERVIEW/RESUBMITTAL	DES
04/04/2023	BULLETIN #09	DES
04/04/2023	BULLETIN #10	DES
04/04/2023	BULLETIN #11	DES
04/04/2023	BULLETIN #12	DES
04/04/2023	BULLETIN #13	DES
04/04/2023	BULLETIN #14	DES
04/04/2023	BULLETIN #15	DES



CERTIFICATION

I hereby certify that this plan was prepared by me, or under my direct supervision, and that I am a duly Licensed Landscape Architect under the laws of the State of Minnesota.

Josh Peck

License No: 44553 Date: 10/1/2023

Signature of a Registered Professional Engineer or Professional Surveyor is required for the design of any structure, machine, or equipment, or for the design of any other work that requires the exercise of the engineering or surveying profession.

BULLETIN #09
MAY 21, 2024

LANDFORM
From Site to Finish

105 South Fifth Avenue Tel: 612-252-9070
Suite 513 Fax: 612-252-9077
Minneapolis, MN 55401 Web: landform.net

FILE NAME: L201LUT054.DWG
PROJECT NO: LUT22054

LANDSCAPE PLAN
L2.1

Landform Group, Inc. is an Equal Opportunity Employer. Landform Group, Inc. is an Equal Opportunity Employer.